

## **Shaft Voltage Measurement Probe**



### **Key Features** \_\_\_\_\_

- Various Models available for different shaft diameters
- Solid construction
- Integrated brush monitoring contact

### **Applications** \_\_\_\_\_

- Shaft Voltage Measurement on Generators

**SVP-2500**

### **General Description** \_\_\_\_\_

The SVP-2500 is one of the Shaft Voltage Measurement Probe Families which is used for the measurement of shaft voltages in generators, especially on turbo generators. The Special design allows to measure shaft voltages up to 2500V and is suitable for most of the generators. Different models are available depending on the shaft diameter and circumference speed.

The probe is typically used in combination with the UDL-8000 monitoring system in combination with the module M8016 for shaft voltage measurement and monitoring.

### **Ordering Information** \_\_\_\_\_

Order Code: 21.2500.470

Shaft Voltage Measurement Probe  
for Diameters up to 500mm

Other types upon request

# Shaft Voltage Measurement Probe



## Technical Data

---

**SVP-2500**

### Electrical

---

Insulation: up to 2500VAC      Brush monitoring contact: 24VDC/6A or 250VAC, 6A

### Environment

---

Operating Temperature Range: -50 .. +155°C

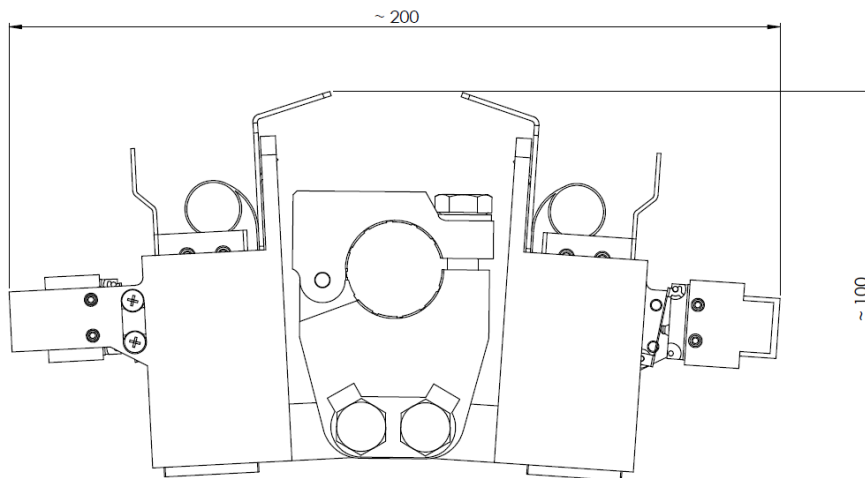
### Mechanical

---

Height: ~ 100mm      Brush Pressure: 250cN/cm<sup>2</sup>  
Length: ~ 200mm  
Width: ~ 20mm

## Dimensions

---



Sparks Instruments SA reserves the right, without further notice, to change the product specifications and/or the information on this document to improve reliability, functions and design of this product.  
© 2014, Sparks Instruments SA, All rights reserved.

## Contact

---

### Sparks Instruments SA

Route de Montena 85, CH-1728 Rossens  
Switzerland

Phone: +41 (0)26 301 30 04  
Email: sales@sparksinstruments.com  
Web: www.sparksinstruments.com

Worldwide Exclusive Sales Representative  
for Rotating Machine Market

 **MC-monitoring SA**  
Measuring - Consulting - Monitoring

Route André Piller 19  
1762 Givisiez / Switzerland  
Phone: +41 58 411 54 00  
sales@mc-monitoring.com